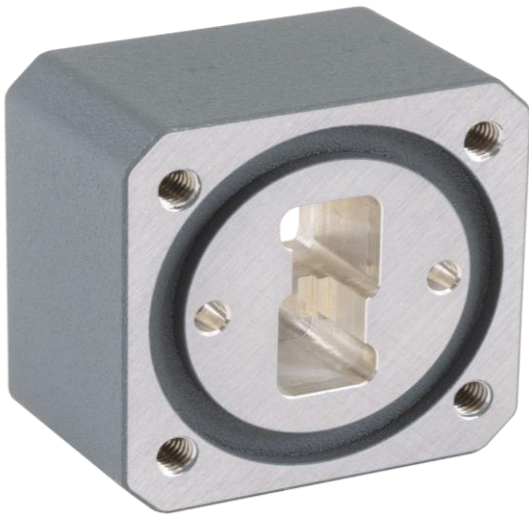
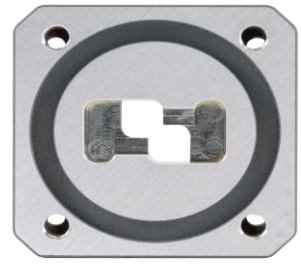


flexiguide

Product Specification



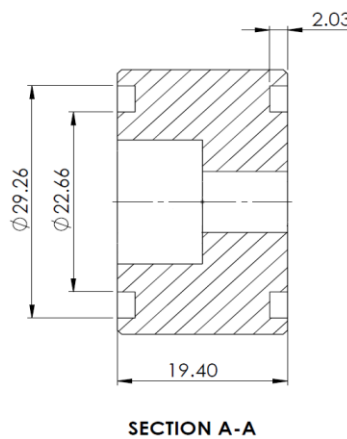
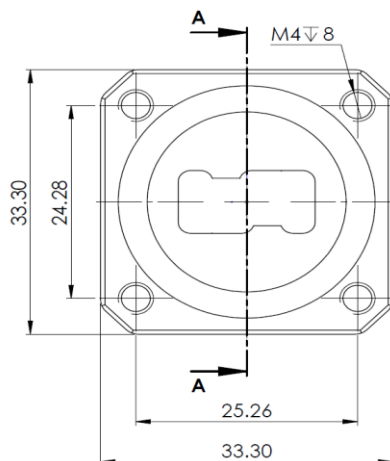
Front View



Rear View



Product in use



Part Number:

ST18KK-90-P-*

* = see options below

Description / Mechanical Specifications

Product Type:	Waveguide Twist (Super-Twist)
Waveguide Size:	WG18 / WR62 / R140
Flange 1:	18K (PBR140)
Flange 2:	18K (PBR140)
Twist Angle:	90°
Material / Finish:	Aluminium / Passivated
* Paint Finish:	G = Gray (RAL 7012), B = Black, W = White
Accessories:	None

Electrical Specifications

Frequency Range:	12.4 - 18.0 GHz
Insertion Loss:	0.1 dB
Return Loss:	26.4 dB

Environmental Performance

Temperature Range:	-70 to +150°C
ETSI Class:	ETSI EN 300-019-2-4 Class 4.1
I.P. Rating:	IP65 (Weatherproof)